

DRILLING RIG INVENTORY

Rig Number: 673
Make & Model: HRI - 700
Type: Mobile Drilling Rig Telescoping Double
Maximum Depth Rating with 4-1/2" 16.6 ppf Drill pipe: 12,000 Feet
Rotary Drive: Type and Size, Speed Range (rpm): Hacker 22" 0-150 RPM
Approximate number of loads to move rig: 20

Drawworks:
Main Drum:
Hydromatic Brake: 224 DR Cable Size: 1 1/8 Number of Clutches: 2
Make & Model: Heartland Rig
Sand Drum: N/A Cable Size: N/A Cable Length: N/A
Engines: Make & Model: (2) 3406 - B Caterpillar (500 hp each)

Derrick:
Manufacturer: Heartland Height: 116 Weight Capacity: 410,000
Maximum Number of Lines: 10 Last Inspection Date: 2/26/12

Top Drive:
Manufacturer: Tesco Description: HMI 250
Capacity: 250 Ton 475hp Power Pack

Substructure:
Height and Capacity: 14' 6" Rotary Beam Cap. 408,000 Set Back Cap 225,000
Height above base of substructure to underside of rotary beams: 11'6"
Windbreak on substructure: X Yes No

Traveling Blocks:
Make & Model: TFI YG 180 Weight Capacity: 200 ton Number of Lines: 10

Elevators: Make & Model: 3 1/2 & 4 1/2 175 Ton Bottleneck

Catwalk: Length & Height: 53' L x 40" Tall x 60" Wide

Pipe Racks: Length & Height: 29' x 40"

Drill Pipe: Size, Amounts, Connections, Grade: 3-1/2" 13.30# or 4-1/2" 16.60#
Last inspection date & footage since last inspected: current

Drill Collars: (Minimum quantity required for running manufactures maximum weight on bit for each hole size)
Size (O.D. x I.D.): 4-3/4" & 6" Number: 20 EACH SIZE
Last inspection date & footage since last inspected: current

Pumps: Make, Model, Input HP: HRS F-1000 Qty. 2 (TWO) 1,000hp
Engine Make & Model: Caterpillar Model 3508
Liner Size and Stroke Length: 6 1/2 x 10' stroke
Max. Continuous Operating Pressure: 3,000 lbs
Pump Speed (spm): 140

Steel Mud Pit:
Dimensions: 5' TALL X 10' WIDE X 50' LONG Capacity: 450 BBLS Number of Compartments: 5
Shale Shaker Make & Model: Two Derrick Model 48 Series - 3 Screen
Charge Pump Make & Model: 1 Charge Pump, 1 Mixing Pump, 1 Desander Pump All 5x6

BOP's: Make & Model: Townsend Type 80 Double Hydraulic Size: 11"
Pressure Rating: 3000 Date of Last Inspection: current

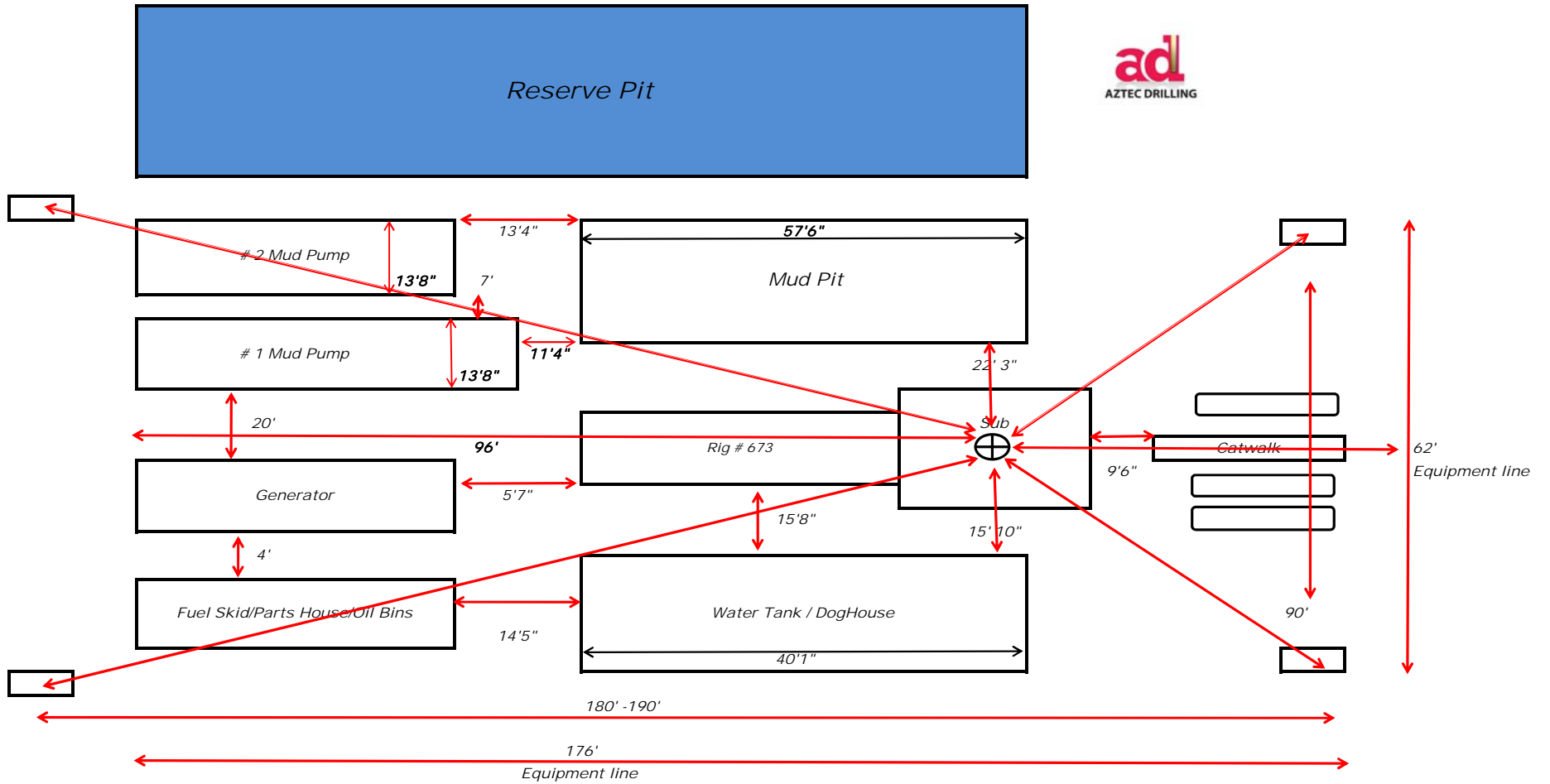
Rotating Head: Make & Model: Williams Rotating Head
Estimated cost for stripping rubber: \$1350.00

Accumulator:
Make & Model: Burnsco -Bison
Capacity of Hydraulic Fluid: 250 gallon
Number of Stations: 5 Number of Pressure Bottles: 8
Hydraulic Pressure Source: Electric Motor
Electric Motor: Yes
Gas/Diesel Engine:
Air/Hydraulic Pump: Yes
Date of Last Inspection: current

Choke Manifold:
Valves:
Make & Model: Barton 3" 3000
Pressure Rating & Size: 3 3000
Date of Last Inspection: current
Chokes:
Make & Model: 2" 3000 Type: Adj.
Pressure Rating & Size: 2 3000
Date of Last Inspection: current

Light Plant:
Voltage, Amperage, Watts: 350 KW CAT
Engine Make & Model: 3406 - B Caterpillar

Drilling Recorder:
Make & Model: Pason EDR (electronic drilling recorder)
Chart Type: 12 Hour X 24 Hour



Rig 673 Foot Print